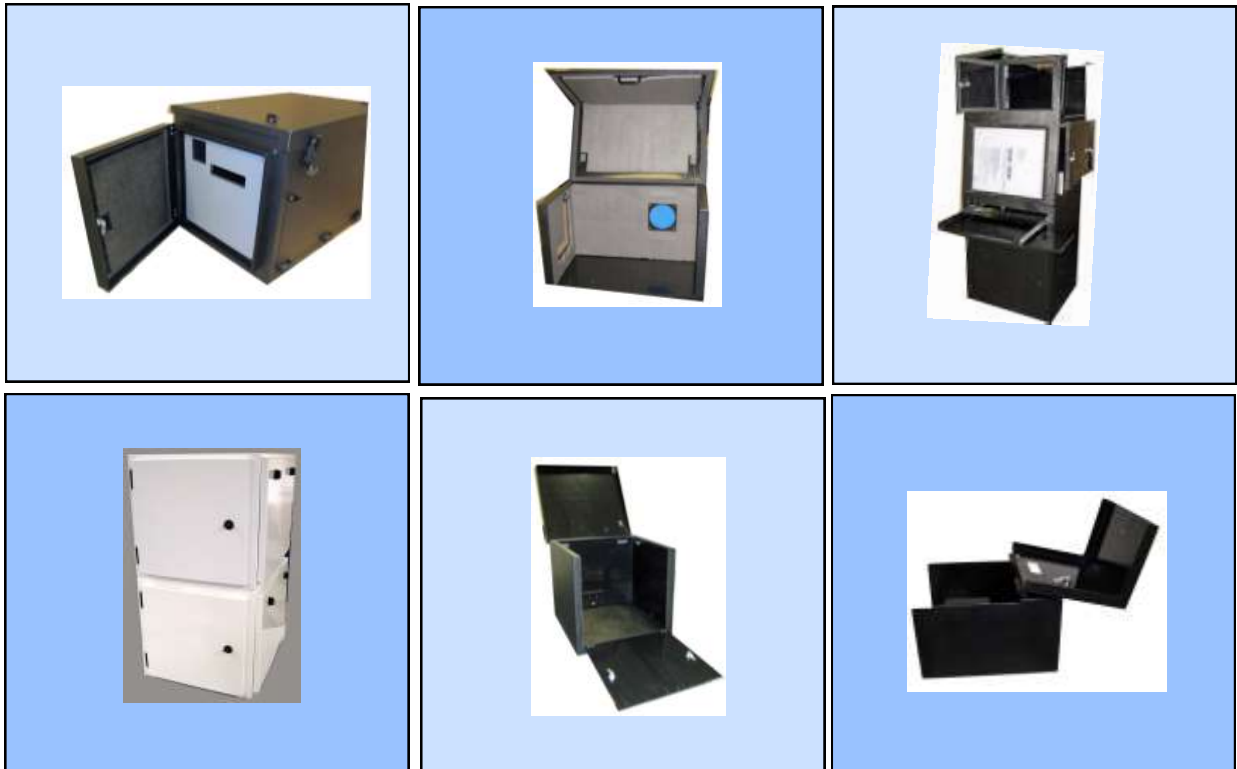




16744 WEST PARK CIRCLE DRIVE  
CHAGRIN FALLS, OH. 44023  
PH ( 440 ) 543-2393 FAX ( 440 ) 543-2397  
[www.qubeinc.com](http://www.qubeinc.com)  
[steve@qubeinc.com](mailto:steve@qubeinc.com)

**800 747 8381**

## Printer Enclosures



## STANDARD TERMS

**VERBAL ORDERS ARE NOT ACCEPTED :** Because of the number of sizes and details involved, we require that all orders be confirmed in writing prior to manufacture. This is typically done via FAX OR EMAIL

**CREDIT TERMS** Qube's terms are **2% 10 Net 30** Credit must be established prior to shipment, and prior to programming of custom and dimensionally changed product. We also accept **Master Card , Visa, and American Express**

**FREIGHT CHARGES :** are prepaid and added on most shipments. Customer specified carriers may be shipped collect.

**UPS SHIPMENTS:** Please be aware that Qube will ship certain sizes UPS based on customer request and cost. In many cases, UPS adds a **DIMENSIONAL WEIGHT** charge in excess of normal zone / weight costs. These costs are added to the shipment freight charges.

**OVERNIGHT AIR:** **All expedited shipments require a third party billing (such as customers UPS or Federal Express number ).** UPS has certain dimensional limits, FED EX will accept larger freight. For certain large enclosures, overnight air is not available. All expedited freight requires a written authorization from the customer.

**FREIGHT DAMAGE :** Unfortunately, freight damage is common in the shipment of enclosures. Qube makes every attempt to package it's products accordingly.. **PLEASE INSPECT FREIGHT PRIOR TO ACCEPTING** .If concealed damage occurs, please retain the damaged product, and notify Qube for instruction. Often a lid or other part can simply be replaced.

**LEAD TIMES:** **QUBE DOES NOT STOCK ANY PRODUCT.** Our manufacturing process allows dimensional changes and the ability to manufacture enclosure sizes not commonly available. Most HC,SC,and TR products ship within *5 working* days or less. Large cabinets generally ship in *10-15 working* days or less. CN computer enclosures generally ship in *5-7 working* days. Most initial custom orders are shipped in *20 working* days or less.

**PRODUCT RETURNS :** Custom and dimensionally changed products **may not** be returned. Standard products may be returned as in salable condition. and the return request is made within 30 days of product shipment. On multiple unit custom orders we recommend that 1 unit be produced prior to manufacturing the entire order. A 20% restocking charge applies to returns

**COUNTRY OF ORIGIN :** All Qube products are produced in Chagrin Falls OH, USA

### LIMITED WARRANTY

Qube Corporation warrants product to be manufactured as specified, and free from defects in material and workmanship. No representation or other affirmation of facts, including but not limited to statements regarding capacity, suitability for use or performance, shall be deemed to be a warranty or representation of Qube Corporation for any purpose.

MADE IN THE USA





16744 WEST PARK CIRCLE DRIVE  
CHAGRIN FALLS, OH. 44023  
PH ( 440 ) 543-2393 FAX ( 440 )543-2397  
[www.qubeinc.com](http://www.qubeinc.com)  
Email: [steve@qubeinc.com](mailto:steve@qubeinc.com)



### About us

Qube corporation manufactures standard and custom printer enclosures using industrial grade ABS plastic. We also manufacture Computer consoles and Kiosks .A full line of PVC electrical enclosures is also available

The company is located in Chagrin Falls OH, an eastern suburb of Cleveland OH.

### Our Advantage

Our process allows for easy dimensional changes and customization at low volumes with short lead times. Our products offer substantial savings when compared to stainless steel.

BAR CODE PRINTER ENCLOSURES TO PROTECT AGAINST DUST AND DIRT	Page 2
BAR CODE PRINTER ENCLOSURES FOR WASHDOWN PROTECTION	Page 3
BAR CODE PRINTER ENCLOSURES WITH HEATER	Page 4
BAR CODE PRINTER COMBINED WITH A COMPUTER CONSOLE	Page 5
CUSTOMIZATION Options	Page 6
LASER PRINTER ENCLOSURES	Page 7
SMALL THERMAL PRINTER ENCLOSURES	Page 8

Bar Code Printer enclosures provide a positive air pressure environment. The product is manufactured using 1/4" thick ABS plastic. Keeping dust and dirt out prolongs the life of the print head and reduces costly downtime.

The standard base cabinet accommodates most Zebra, Datamax, Intermec, Sato, and Printronix printers.

Each base cabinet includes a label exit door that is configured to the specific printer. This allows the best printer protection.

If security is an issue, an available keyed lock option is available for all doors.

For office environments where noise is an issue, an acoustical foam option significantly reduces printer noise.

There are many printer enclosure customization options available. See the printer enclosure customization page.



Printer specific door



Label Exit

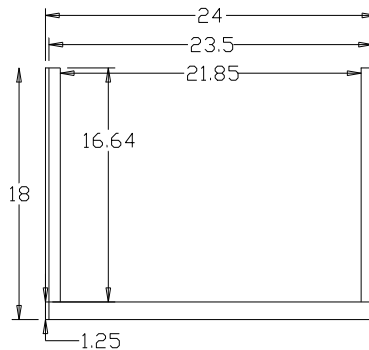
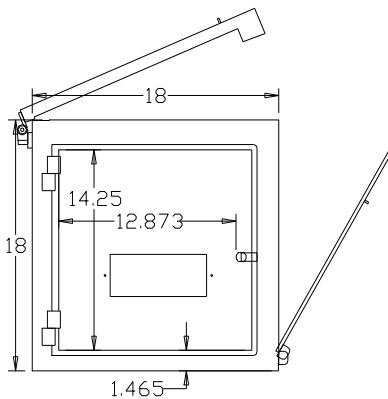


Removable Filter



Cord Exit Cover

PART #	DESCRIPTION
QBC182418-502	Printer Cabinet
QBCDOOR-####	Printer specific door <i>Example: QBCDOOR-ZM600 for a Zebra ZM600 printer</i>
QBCLOCKS	All Doors Locking
QBCFOAM	Acoustical Foam



Available Sound Insulation

Wash down Bar Code Printer enclosures provide protection against spraying water and cleaning agents. The printer enclosure is completely gasketed with compression hardware. A secondary label exit door is closed when washdown is required.

The printer enclosure is manufactured using 1/4" thick ABS plastic. These printer enclosures offer significant savings over stainless steel enclosures. The standard base cabinet accommodates most Zebra, Datamax, Intermec, Sato, and Printronix printers.

Each base cabinet includes a gasketed label exit door with an insert that is configured to the specific printer. This allows the best printer protection.

There are many printer enclosure customization options available, see the printer enclosure customization page.



Gasketed door for Washdown

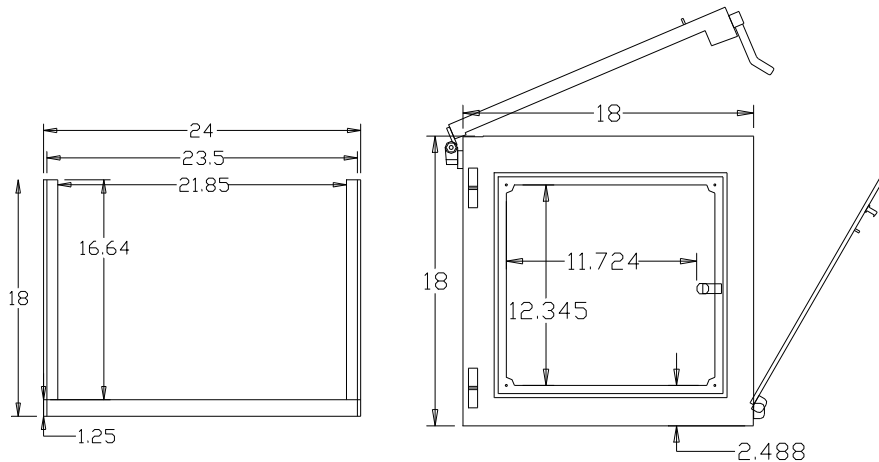


Specific Printer insert



Cord Cover

PART #	DESCRIPTION
QBCW182418-502	4X Printer Cabinet
QBCWINSERT-####	Printer specific door <i>Example: QBCINSERT-ZM600 for a Zebra ZM600 printer</i>



# QBCH BAR CODE PRINTER ENCLOSURES WITH HEATER

Heated Bar Code Printer enclosures allow printers to function in cold environments.

The printer enclosure is completely gasketed with compression hardware. A secondary insulated label exit door is closed when the printer is not operating

The printer enclosure is manufactured using 1/4" thick ABS plastic. There is 5" Low temp polyethylene foam rubber insulation installed, along with a 200w Hoffman heater installed on a metal panel.

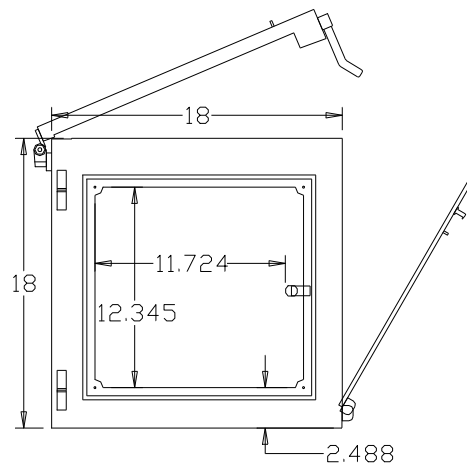
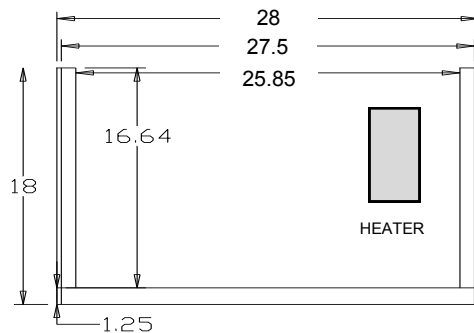
The standard base cabinet accommodates most Zebra, Datamax, Intermec, Sato, and Printronix printers.

Each base cabinet includes a gasketed label exit door with an insert that is configured to the specific printer. This allows the best printer protection

There are many printer enclosure customization options available, See the printer enclosure customization page.



PART #	DESCRIPTION
QBCH182818-502	4X Printer Cabinet
QBCHINSERT-####	Printer specific Insert <i>Example: QBCHINSERT-ZM600 for a Zebra ZM600 printer</i>
19095K72	Hoffman 200 watt heater with cord on steel panel





**CUSTOMIZATION** BAR CODE PRINTER ENCLOSURES

Qube can customize bar code printer enclosures to meet customer specific requirements.

Different materials, specific dimensions, and various designs are examples.



LABEL CATCH TRAYS



WINDOWS



FAN FOLD LABEL COMPARTMENT



MULTIPLE PRINTERS



LIFT OFF COVERS



REINFORCED CABINETS



CLEAR POLYCARBONATE DOORS



CABINETS



PULL OUT SHELVES

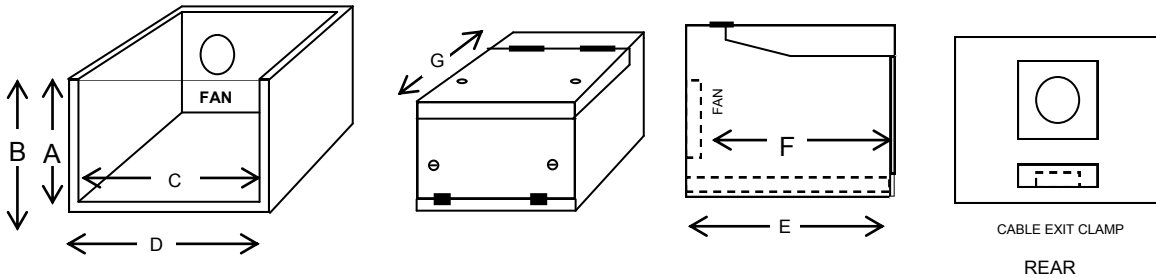


Qube Laser Printer enclosures provide a positive air pressure environment. The product is manufactured using 1/4" thick ABS plastic. Several standard sizes are available, along with dimensional changes available to accommodate most printer sizes.

If security is an issue Qube offers a Keyed lock option on all door, often used to secure check printing and confidential documents.

For office environments where noise is an issue, an acoustical foam option significantly reduces printer noise.

There are many printer enclosure customization options available, Laser enclosures for outdoor applications are available in white UV stabilized material.



PRINTER HT RANGE	QUBE PART #	A	B	C	D	E	F	G
9" to 12"	QLP151924-502	13"	14.5"	19"	22"	24"	22.5"	14"
13" to 16"	QLP201924-502	18"	19.5"	19"	22"	24"	22.5"	14"
17" to 18"	QLP221924-502	19"	22"	19"	22"	24"	22.5"	14"
19" to 25"	SPECIFIC QUOTE							



Examples of wall mount, large laser printer enclosures , and customization

# QTP

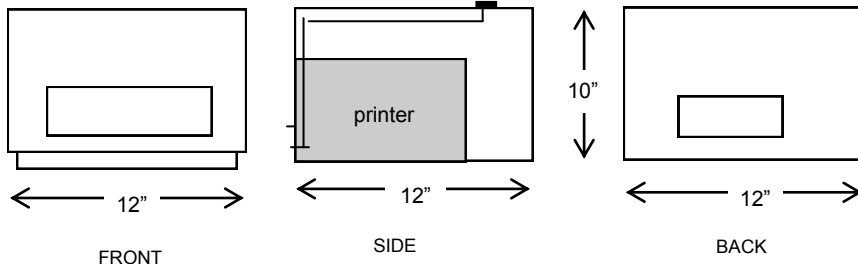
## SMALL DESKTOP THERMAL PRINTER ENCLOSURES

Qube enclosures for small thermal printers can be made in several configurations. Common sizes are for label to exit thru a slot in the front., and for washdown or complete security, for the label to accumulate in a longer enclosure..

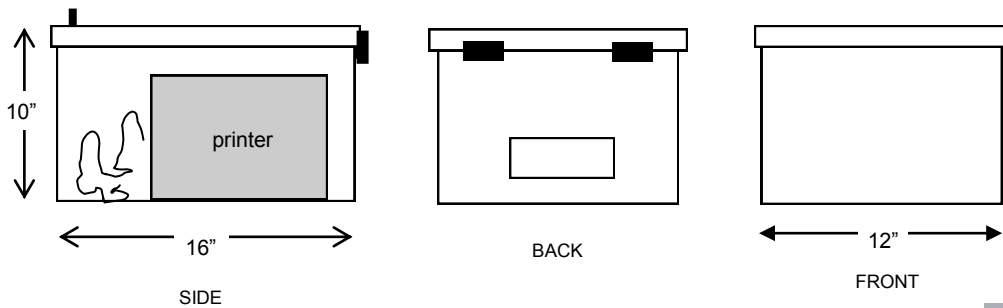
Options include different sizes, UV stabilized white HDPE for outdoor applications, and wall mounted units.



PART #	DESCRIPTION
QTP121212-502	Label exit thru slot in front
QTP101216-502	Label exit rolls up inside



**QTP121212-502**



**QTP101216-502**

